



# Double Wall Stove Pipe Dimensional Data

### Applications

Z-Flex® double wall chimney connector is for connection from a third party listed (CSA, Intertek, UL, etc.) untreated wood or seasoned hardwood (with less than 20% moisture content to avoid creosote), coal (with less than 1% Sulphur to limit Sulphuric Acid), residential heating oil or gas (natural or LP) fired low-heat appliance (stove, residential freestanding fireplace, furnace or boiler) normally producing flue gas temperature of 1200°F (650°C) or less to a masonry chimney or factory-built chimney listed to UL103HT. Z-Flex double wall chimney connector can be used anywhere single wall stove pipe is allowed.

### Construction

.016" stainless steel inner wall, .018 galvanized outer, painted black

### MINIMUM Clearances

12 inches to combustibles (wall or ceiling)

### Listing

Z-Flex® Double Wall Connectors are UL listed to CAN/ULC 641 Standard for Factory-Built Chimney Connectors and Wall Pass-Through Assemblies under UL file number MH13681.

### Diameters (inches)

5, 6, 7, & 8

### Available Kits

Please visit 2SPD DW Stove Pipe Brochure for complete listing of Kits and their contents.

Additional parts/kits available upon request.

# Double Wall Stove Pipe

## Dimensional Data

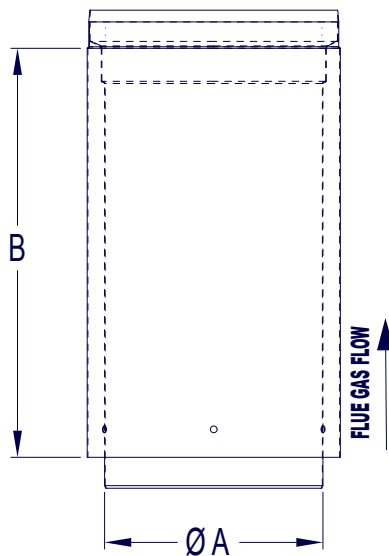
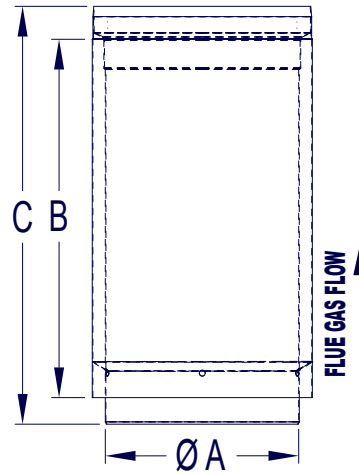
	Page
Pipe	1
Pipe Slip	1
Pipe Adjustable	2
Tee	2
Elbow	3
Reducer - Concentric	3
Increaser - Concentric	4
Adaptor Stove	4
Adaptor Barometric	5
Adaptor Masonry	5
Adaptor ZR	6
Adaptor Masonry Thimble	6
Damper	7
Conical Trim Ring	7
Horizontal Support	8

# Double Wall Stove Pipe

## Dimensional Data

### Pipe

A	B	C	Part Number	Description
5	5	6.75	2SPD5L5	Pipe 5D x 6L
5	11	12.75	2SPD5L1	Pipe 5D x 12L
5	17	18.75	2SPD5L1.5	Pipe 5D x 18L
5	23	24.75	2SPD5L2	Pipe 5D x 24L
5	35	36.75	2SPD5L3	Pipe 5D x 36L
6	5	6.75	2SPD6L5	Pipe 6D x 6L
6	11	12.75	2SPD6L1	Pipe 6D x 12L
6	17	18.75	2SPD6L1.5	Pipe 6D x 18L
6	23	24.75	2SPD6L2	Pipe 6D x 24L
6	35	36.75	2SPD6L3	Pipe 6D x 36L
7	5	6.75	2SPD7L5	Pipe 7D x 6L
7	11	12.75	2SPD7L1	Pipe 7D x 12L
7	17	18.75	2SPD7L1.5	Pipe 7D x 18L
7	23	24.75	2SPD7L2	Pipe 7D x 24L
7	35	36.75	2SPD7L3	Pipe 7D x 36L
8	5	6.75	2SPD8L5	Pipe 8D x 6L
8	11	12.75	2SPD8L1	Pipe 8D x 12L
8	17	18.75	2SPD8L1.5	Pipe 8D x 18L
8	23	24.75	2SPD8L2	Pipe 8D x 24L
8	35	36.75	2SPD8L3	Pipe 8D x 36L



### Pipe Slip

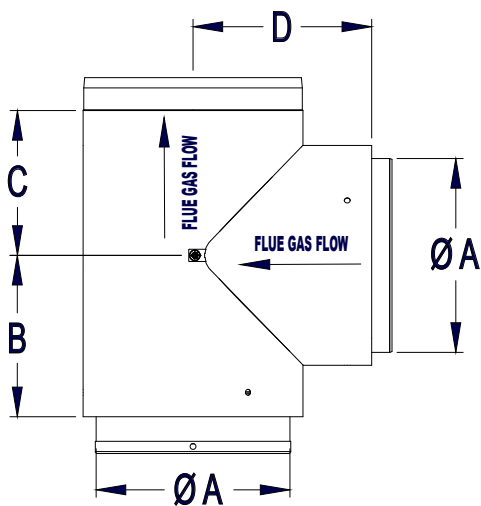
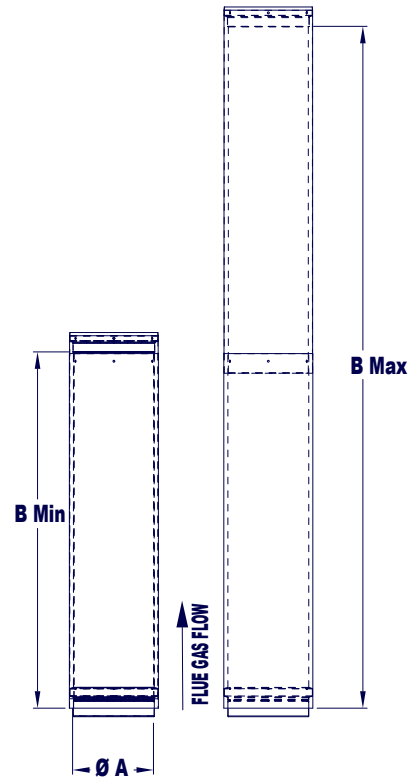
A	B	Part Number	Description
5	5	2SPD5L2-5	Pipe Slip 5D x 2-5L
5	11	2SPD5L2-11	Pipe Slip 5D x 2-11L
5	17	2SPD5L2-17	Pipe Slip 5D x 2-17L
6	5	2SPD6L2-5	Pipe Slip 6D x 2-5L
6	11	2SPD6L2-11	Pipe Slip 6D x 2-11L
6	17	2SPD6L2-17	Pipe Slip 6D x 2-17L
7	5	2SPD7L2-5	Pipe Slip 7D x 2-5L
7	11	2SPD7L2-11	Pipe Slip 7D x 2-11L
7	17	2SPD7L2-17	Pipe Slip 7D x 2-17L
8	5	2SPD8L2-5	Pipe Slip 8D x 2-5L
8	11	2SPD8L2-11	Pipe Slip 8D x 2-11L
8	17	2SPD8L2-17	Pipe Slip 8D x 2-17L

# Double Wall Stove Pipe

## Dimensional Data

### Pipe Adjustable

A	B Min	B Max	Part Number	Description
5	29	46	2SPD5L29-46	Pipe Adjustable 5D x 29-46L
6	29	46	2SPD6L29-46	Pipe Adjustable 6D x 29-46L
7	29	46	2SPD7L29-46	Pipe Adjustable 7D x 29-46L
8	29	46	2SPD8L29-46	Pipe Adjustable 8D x 29-46L
5	40	68	2SPD5L40-68	Pipe Adjustable 5D x 40-68L
6	40	68	2SPD6L40-68	Pipe Adjustable 6D x 40-68L
7	40	68	2SPD7L40-68	Pipe Adjustable 7D x 40-68L
8	40	68	2SPD8L40-68	Pipe Adjustable 8D x 40-68L



### Tee

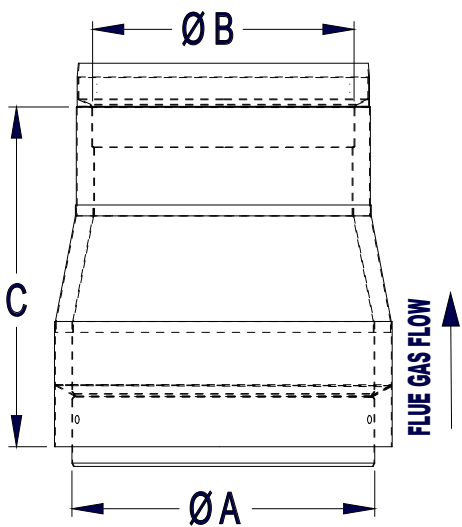
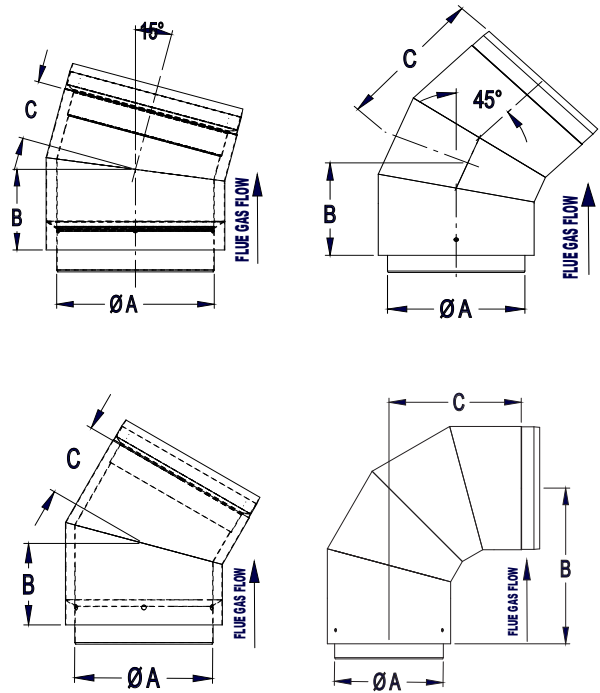
A	B	C	D	Part Number	Description
5	4.5	4	5.00	2SPD5T	Tee 5
6	5	4.5	5.50	2SPD6T	Tee 6
7	5.5	5	6.00	2SPD7T	Tee 7
8	6.25	5.75	6.50	2SPD8T	Tee 8

# Double Wall Stove Pipe

## Dimensional Data

### Elbow

A	B	C	Part Number	Description
5	2.675	3	2SPD5E15	Elbow 5 x 15°
6	2.75	3	2SPD6E15	Elbow 6 x 15°
7	2.83	3.125	2SPD7E15	Elbow 7 x 15°
8	2.87	3.18	2SPD8E15	Elbow 8 x 15°
5	5	3	2SPD5E30	Elbow 5 x 30°
6	3.2	3.5	2SPD6E30	Elbow 6 x 30°
7	7	3	2SPD7E30	Elbow 7 x 30°
8	8	3	2SPD8E30	Elbow 8 x 30°
5	4.68	3.75	2SPD5E45	Elbow 5 x 45°
6	4.75	4.125	2SPD6E45	Elbow 6 x 45°
7	5.375	4.1875	2SPD7E45	Elbow 7 x 45°
8	5.375	4.375	2SPD8E45	Elbow 8 x 45°
5	7.625	6.75	2SPD5E90	Elbow 5 x 90°
6	8.5	7.25	2SPD6E90	Elbow 6 x 90°
7	8.625	7.75	2SPD7E90	Elbow 7 x 90°
8	8.75	8.25	2SPD8E90	Elbow 8 x 90°



### Reducer Concentric

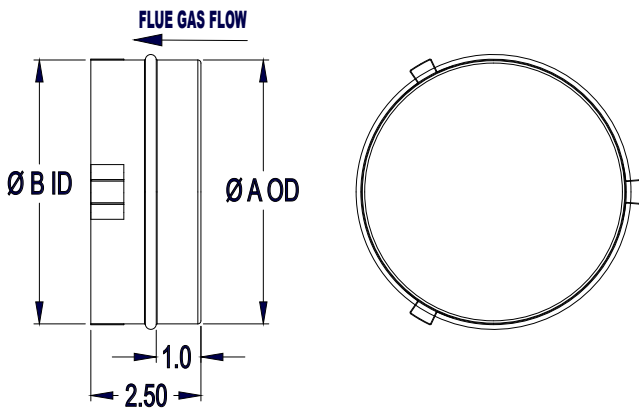
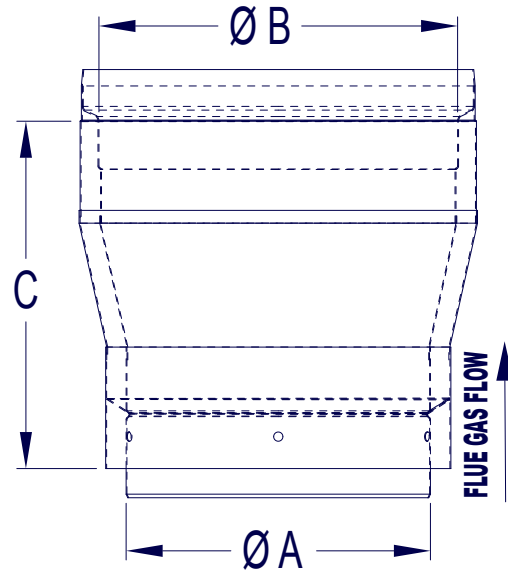
A	B	C	Part Number	Description
6	5	6.8	2SPD6R5	Reducer Concentric 6x5
7	6	6.8	2SPD7R6	Reducer Concentric 7x6
8	6	6.8	2SPD8R6	Reducer Concentric 8x6
8	7	6.8	2SPD8R7	Reducer Concentric 8x7

# Double Wall Stove Pipe

## Dimensional Data

### Increaser - Concentric

A	B	C	Part Number	Description
5	6	6.8	2SPD516	Increaser Concentric 5x6
6	7	6.8	2SPD617	Increaser Concentric 6x7
6	8	6.8	2SPD618	Increaser Concentric 6x8
7	8	6.8	2SPD718	Increaser Concentric 7x8



### Adaptor Stove

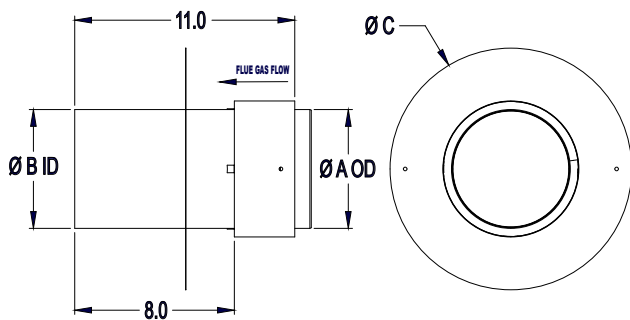
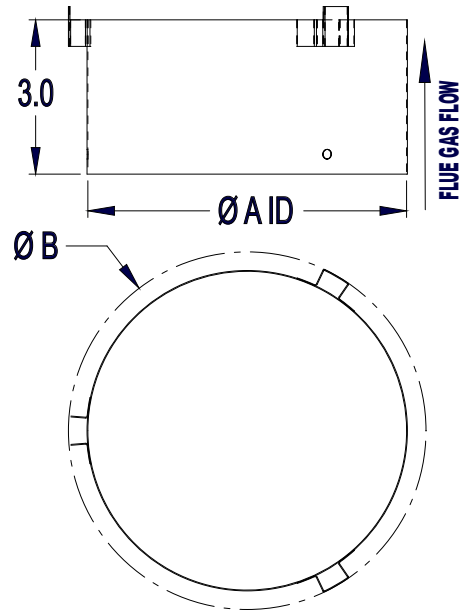
A	B	Part Number	Description
4.95	5	2SPD5AR	Adaptor Stove 5
5.95	6	2SPD6AR	Adaptor Stove 6
6.95	7	2SPD7AR	Adaptor Stove 7
7.95	8	2SPD8AR	Adaptor Stove 8

# Double Wall Stove Pipe

## Dimensional Data

### Adaptor Barometric

A	Part Number	Description
5	2SPD5AB	Adaptor Barometric 5
6	2SPD6AB	Adaptor Barometric 6
7	2SPD7AB	Adaptor Barometric 7
8	2SPD8AB	Adaptor Barometric 8



### Adaptor Masonry

A	B	C	Part Number	Description
4.95	5.9	11	2SPD5AM	Adaptor Masonry 5
5.95	6.9	12	2SPD6AM	Adaptor Masonry 6
6.95	7.9	13	2SPD7AM	Adaptor Masonry 7
7.95	8.9	14	2SPD8AM	Adaptor Masonry 8

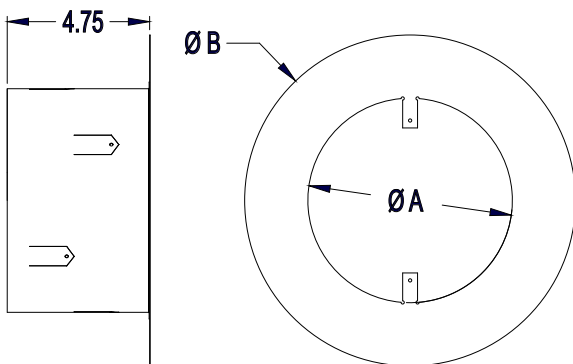
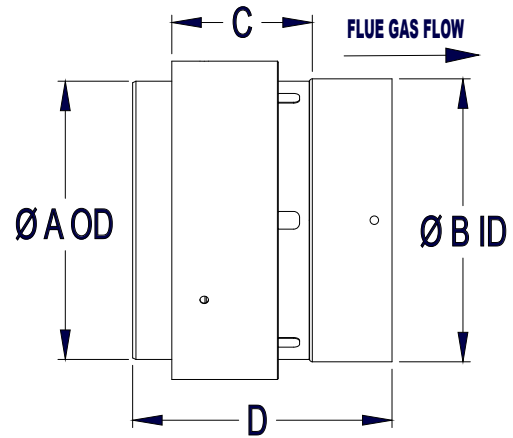


# Double Wall Stove Pipe

## Dimensional Data

### Adaptor ZR

A	B	C	D	Part Number	Description
4.95	5	3	5.5	2SPD5AZR	Adaptor ZR 5
5.95	6	3	5.5	2SPD6AZR	Adaptor ZR 6
6.95	7	3	5.5	2SPD7AZR	Adaptor ZR 7
7.95	8	3	5.5	2SPD8AZR	Adaptor ZR 8



### Adaptor Masonry Thimble

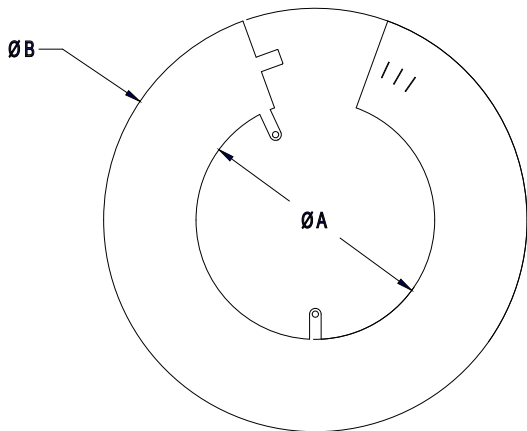
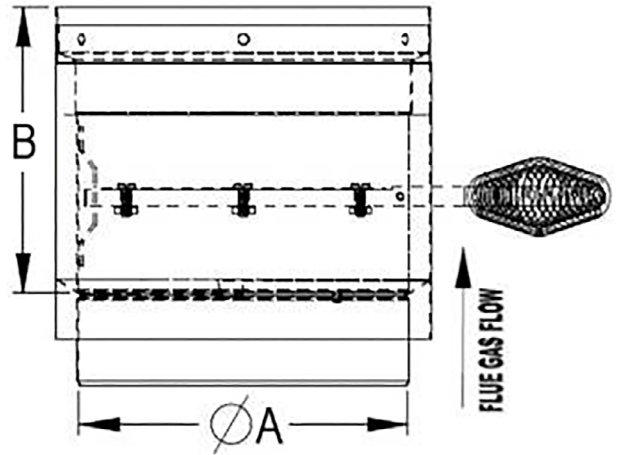
A	B	Part Number	Description
5.875	10.125	2SPD5AMT	Adaptor Masonry Thimble 5
6.875	11.125	2SPD6AMT	Adaptor Masonry Thimble 6
7.875	12.125	2SPD7AMT	Adaptor Masonry Thimble 7
8.875	13.125	2SPD8AMT	Adaptor Masonry Thimble 8

# Double Wall Stove Pipe

## Dimensional Data

### Damper

A	B	Part Number	Description
5		2SPD5D	Damper 5D x 5L
6		2SPD6D	Damper 6D x 5L
7		2SPD7D	Damper 7D x 5L
8		2SPD8D	Damper 8D x 5L



### Conical Trim Ring

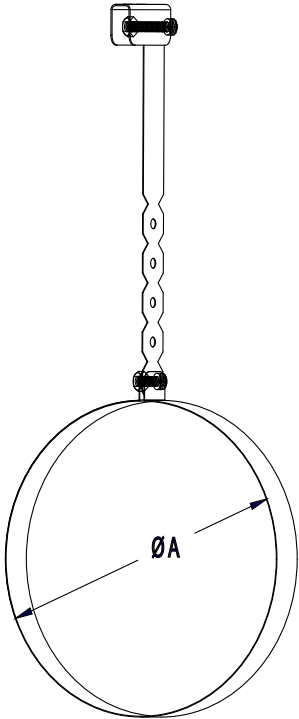
A	B	Part Number	Description
6.75	13.75	2SPD6CTR	CONICAL TRIM RING 6
8.75	14.75	2SPD8CTR	CONICAL TRIM RING 8

# Double Wall Stove Pipe

## Dimensional Data

### Horizontal Support

A	Part Number	Description
5.75	2SPD5SH	HORIZONTAL SUPPORT 5
6.75	2SPD6SH	HORIZONTAL SUPPORT 6
7.75	2SPD7SH	HORIZONTAL SUPPORT 7
8.75	2SPD8SH	HORIZONTAL SUPPORT 8





20 Commerce Park North  
Bedford, New Hampshire 03110-6911  
tel: 603.669.5136 fax: 603.669.0309

452 Attwell Drive  
Etobicoke, ON M9W 5C3  
tel: 416.679.0045 fax: 416.679.0051

[www.z-flex.com](http://www.z-flex.com) email [sales@z-flex.com](mailto:sales@z-flex.com)